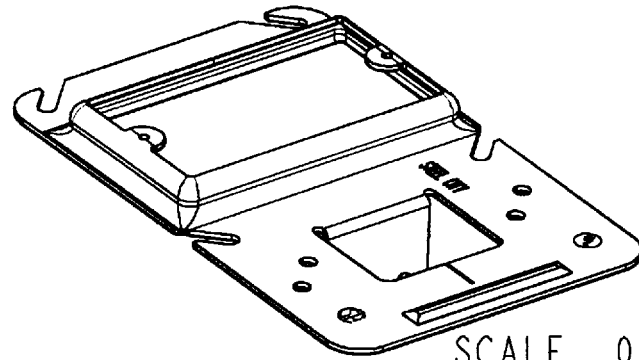




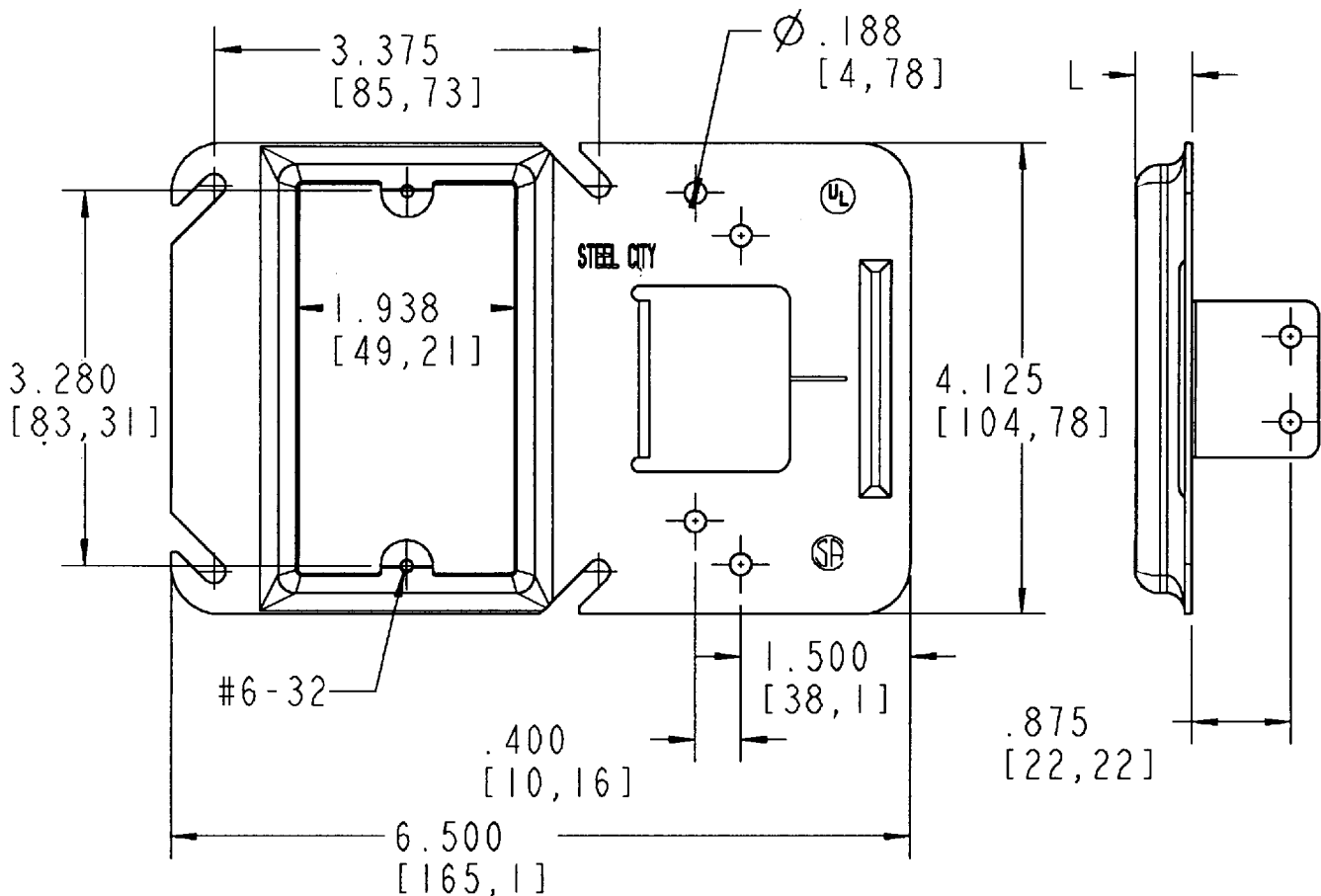
Steel City



CAT. NO.	"L"
52CM13	1/2"
52CM14-5/8	5/8"
52CM14	3/4"



SCALE 0.500



MATERIAL: PRE-GALVANIZED STEEL 0.063" THICK

GENERAL NOTES

- ALL DIMENSIONS ARE FOR REFERENCE ONLY.
- DIMENSIONS IN BRACKETS [] ARE IN METRIC UNITS.

REVISIONS

Thomas & Betts

DESCRIPTION:

BOX SUPPORT COVER 1 DEVICE

** SEE ERN (****) FOR APPROVAL SIGNATURES & RELEASE DATE.
PROJECT NO: ****

ORIGINAL PROJECT NO / (ERN NO)
ND55262 / (2009428)

SHEET NO:
1 OF 1

REV. NO:
**

DRAWING NO:
WSD-000396